



SANME



MP-J 系列 履带移动颞式破碎站

*MP-J Series
Mobile Jaw Crushing Plants*



上海山美环保装备股份有限公司
SHANGHAI SANME MINING MACHINERY CORP., LTD.
(中德合资控股)
(Sino-German JV Holding)

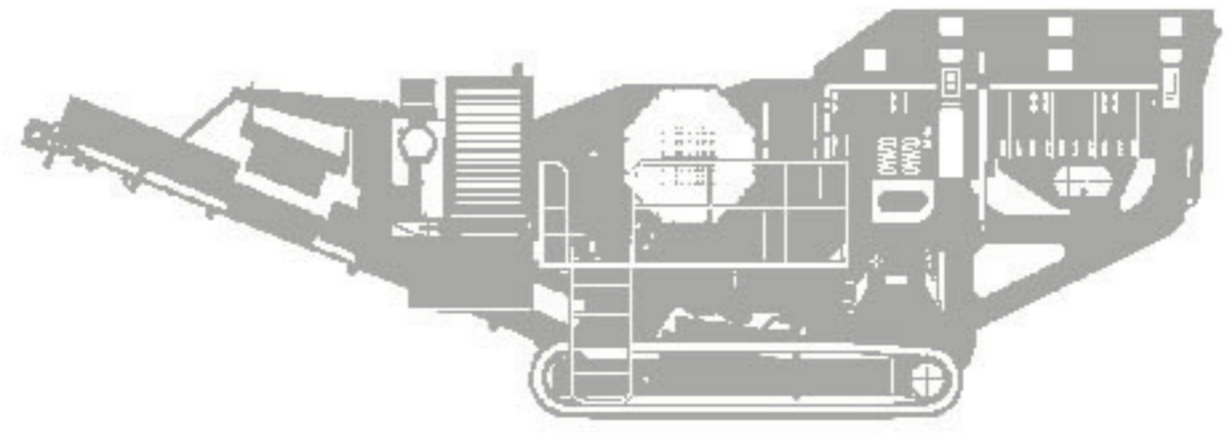


山美矿机 您的良机

上海山美环保装备股份有限公司是中德合资控股企业，是破碎筛分完整产业链发展的企业，专业的破碎筛分成套设备制造商，能够给客户提供全系列破碎筛分设备和完整解决方案，产品包括颚式破碎机、圆锥式破碎机、反击式破碎机、旋回式破碎机、立轴冲击式破碎机（制砂机）、制砂楼、给料机、振动筛、细砂回收装置、水力浮选机、轻物质分离器、履带式移动站和轮胎式移动站等。我们的产品在绿色砂石骨料生产、建筑废弃物资源化利用、矿物加工等行业和领域得到广泛应用，并已出口到世界上 100 多个国家和地区。我们的目标是为全球客户提供值得信赖的产品和服务，为客户创造价值。

Shanghai Sanme Mining Machinery Corp., Ltd. is a Sino-German Joint Venture holding company, a company developing in the complete chain in the crushing and screening industry, the well-known manufacturer of complete set of crushing and screening equipment. SANME could provide the complete sets of crushing and screening equipment and total solutions to customers. The products include jaw crusher, cone crusher, impact crusher, gyratory crusher, vertical impact crusher (sand maker), building-like dry sand-making system, fine sand collecting system, floating separating system, light materials separating system, mobile crushing and screening plant, and portable crushing and screening plant, etc. SANME products have been widely applied in green aggregates processing, construction waste recycling, and minerals processing, etc. Our products have been exported to over 100 countries and regions. Our aim is to provide reliable products and services for global customers and create values for our customers.

欧星 MP-J 系列履带移动颚式破碎站采用更专业的移动破碎技术设计和制造，能够满足客户的移动破碎要求，改变您的盈利模式。



Designed and manufactured with more professional mobile crushing technology, MP-J Series Mobile Jaw Crushing Plants can meet the customers' requirement of high mobility, high crushing efficiency and optimizes your business mode.

欧星 MP-J 系列履带移动颚式破碎站具有如下特点： **Characteristics:**

- ◎ 破碎效率高，处理量大
- ◎ 重型化设计，高可靠性
- ◎ 易于运输和能够快速投入生产
- ◎ 操作和维护方便
- ◎ 移动灵活
- ◎ 发动机先进，油料消耗低，大大降低运营成本
- ◎ 符合最严格的环保标准
- ◎ High capacity and crushing efficiency
- ◎ Heavy duty design, high reliability
- ◎ Easy transport and fast set-up
- ◎ Convenient operation and maintenance
- ◎ High mobility
- ◎ Advanced engine, less fuel consumption, reduces operation cost
- ◎ Meet strict environmental standards

欧星 MP-J 系列履带移动颚式破碎站采用如下世界著名品牌产品：

MP-J Series Mobile Jaw Crushing Plants purchase from world famous brand:



康明斯或卡特彼勒发动机（选装）

Cummins or CAT Engine (Optional)



力士乐液压泵（选装）

Rexroth Hydraulic Pump (Optional)



SKF 轴承（选装）

SKF Bearing (Optional)

欧星 MP-J 系列履带移动颚式破碎站可以应用于：

MP-J Series Mobile Jaw Crushing Plants are applicable for:

- ◆ 矿物和硬岩破碎
- ◆ 砂石骨料生产
- ◆ 建筑废物回收
- ◆ 钢渣处理
- ◆ 隧道破碎
- ◆ 水泥原料加工
- ◆ Minerals and Hard Rock Crushing
- ◆ Aggregates Processing
- ◆ Construction Waste Recycling
- ◆ Slag Processing
- ◆ Tunnel Crushing
- ◆ Cement Industry

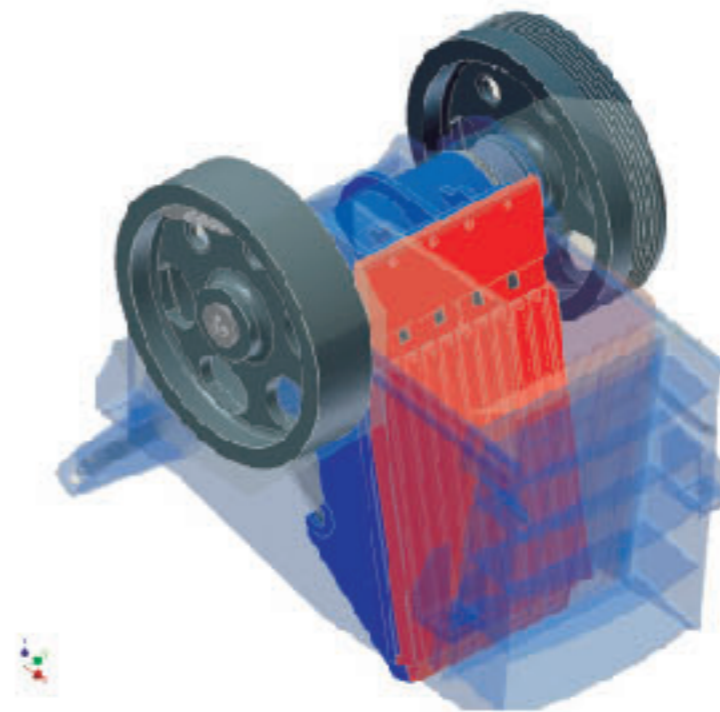


特点及优势

Features and Benefits



- ◎ 颞式破碎机采用液压调整排矿口，能够快速、方便的调整排矿口间隙。
- ◎ Hydraulic adjustment for quick and easy close side setting changes.



- ◎ 采用三维和有限元分析设计的高性能颞式破碎机被证明适合破碎硬岩。
- ◎ Parametric 3-D and FEA designed, performance proven jaw crusher provides flexibility in hard rock.



选装除铁器
Optional Magnetic Separator

防尘密封罩
Dust Encapsulation

主皮带机
Main Conveyor



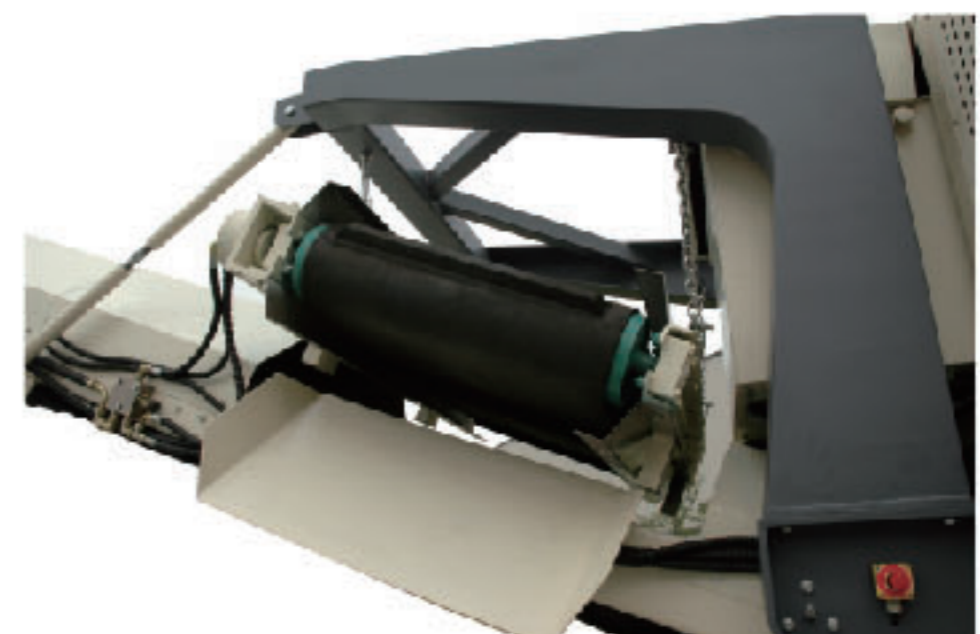
- ◎ 采用标准的平板车即可运输。
- ◎ Quick and easy transport.



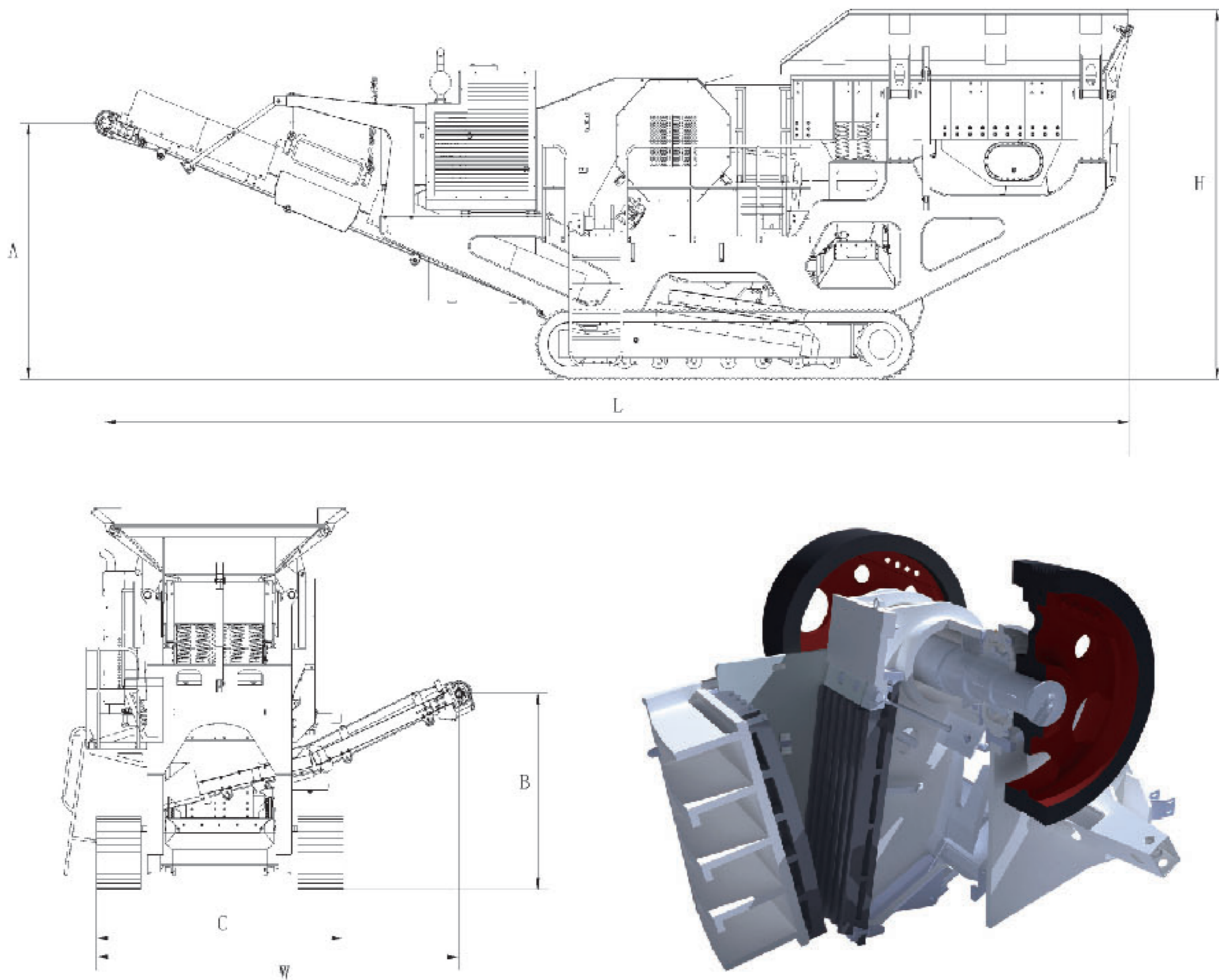
- ◎ 采用最优化的动力传动方案，效率高，动力消耗低。
- ◎ Adopts optimized power transmission system, high efficiency and lower energy consumption.



- ◎ 给料机采用双层结构，方便去土及筛分细料。
- ◎ Vibrating feeder adopts grid structure, which improves fine grain screening and soil removing.



- ◎ 可选装自卸式除铁器。
- ◎ Optional self-cleaning permanent magnetic separator.



外形尺寸 Overall Dimensions(mm)

	MP-J6	MP-J7	MP-J8	MP-J10
L	12600	14800	16000	16500
W	4060	4100	4800	6500
H	4160	4400	4400	6000
A	2900	3300	3800	4000
B	2140	2400	3000	3200
C	2760	2850	3250	4300

技术参数 Technical Specifications

欧星 MP-J 系列履带移动颚式破碎站 MP-J Series Mobile Jaw Crushing Plants	MP-J6	MP- J7	MP- J8	MP- J10
进料口尺寸 Size of feed opening (mm×mm)	600×1060	760×1000	850×1150	1070×1400
最大进料粒度 Max feed size (mm)	500	630	720	950
排矿口调整范围 Gap width (mm)	60-175	70-200	70-220	100-250
处理量 Crushing capacity (t/h)	最大 up to 280	最大 up to 400	最大 up to 500	最大 up to 800
动力装置 Driving Unit				
发动机 Engine	Cummins Tier3	Cat C9	Cat C12	Cat C15
功率 Power (kw)	164	242	317	390
给料斗 Feed Hopper				
料斗容积 Hopper volume (m ³)	6	7	8	10
棒条给料机 Grizzly Feeder with Pre-screening				
驱动方式 Drive	液压 hydraulic	液压 hydraulic	液压 hydraulic	液压 hydraulic
主皮带机 Main Conveyor Belt				
皮带宽度 Belt width (mm)	1000	1000	1200	1400
卸料高度 Discharge height (mm)	2900	3300	3800	4000
驱动方式 Drive	液压 hydraulic	液压 hydraulic	液压 hydraulic	液压 hydraulic
侧皮带机 Side Conveyor Belt				
卸料高度 Discharge height (mm)	2140	2400	3000	3200
驱动方式 Drive	液压 hydraulic	液压 hydraulic	液压 hydraulic	液压 hydraulic
运输时皮带机头部可以折叠 For transportation the head-piece can be folded				
履带行走装置 Crawler Unit				
驱动方式 Drive	液压 hydraulic	液压 hydraulic	液压 hydraulic	液压 hydraulic
永磁自卸式除铁器 Permanent Magnetic Separator				
除铁器 Magnetic separator	可选 option	可选 option	可选 option	可选 option
外形尺寸和重量 Dimensions and Weights				
工作状态外形尺寸 Working dimensions				
- 长度 Length (mm)	12600	14800	16000	16500
- 宽度 Width (mm)	4060	4100	4200	4300
- 高度 Height (mm)	4160	4400	4400	6000
运输状态外形尺寸 Transport dimensions				
- 长度 Length (mm)	12600	14600	16000	16000
- 宽度 Width (mm)	2760	2850	3200	3500
- 高度 Height (mm)	3460	3900	3800	3900
重量 Weight (t) 约 Approximately	39	48	65	115

注：上述生产能力是在破碎物料堆比重为 1.6t/m³ 时开路循环生产中总吨数。生产能力与破碎物料的物理性能、给料方式、进料粒度及其组成等工况有关。
Note: Capacity is the total production tons of open circuit when the material bulk density to be crushed is 1.6t/m³. Production capacity will be affected by physics character of material and feeding method, feeding size and material composition, and so on.



上海山美环保装备股份有限公司
SHANGHAI SANME MINING MACHINERY CORP., LTD.
(中德合资控股)
(Sino-German JV Holding)



山美股份官方微信

版权所有 翻印必究 中国印制 Printed in China
SANME-06-1C | MP-J | 2020-09 | 5000

地址：上海市奉贤区青村镇奉村路 258 号
邮编：201414
电话：021-5759 1166 5759 1188
传真：021-5756 6188 5820 0089
网址：www.shsmzj.com
电邮：info@sanmecorp.com

Add: No.258, Fengcun Road, Qingcun County, Fengxian District,
Shanghai 201414, China
Tel: +86-21-5712 1166 5759 1188
Fax: +86-21-5756 6188 5820 0089
Website: www.sanmecrusher.com
E-mail: sales@sanmecorp.com

免费热线：400-921-5566
售后专线：021-5712 7766

Free Hotline: 400-921-5566
Service Center: +86-21-5712 7766

- 我们的产品在不断的更新和改进中，我们保留在未事先告知用户的情况下，更改参数及设计的权力。
Our products are constantly updated and improved, we reserve the right to change parameters and design without advance notification of customers.
- 照片中产品外观颜色与实际机型存在差异，颜色标准以实物为准。
If there are any discrepancy and difference between color of product appearance and actual machine type in the picture, color standard is subject to actual object.
- 本手册中的配置不一定是出厂标准配置，购买时请详细咨询我们。
Specifications and design in the brochures are not always the standard. Please consult us particularly when purchasing.